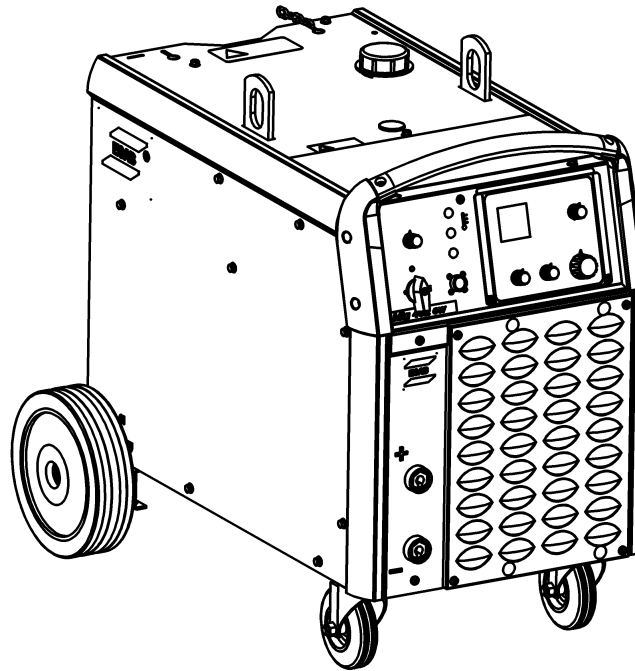


Spare parts list

Edition 20120123



Valid for serial no. 712, 714,715,716,725,726,743,747,748,749,751,750-xxx-xxxx

Ordering no	Product	Notes	Ser.no
0349 308 500	Origo™ Mig 402cw	400V – 415V, 3~50Hz; with water cooler	712
0349 310 750	Origo™ Mig 402c	400V – 415V, 3~50Hz	714
0349 310 760	Origo™ Mig 502cw	400V – 415V, 3~50Hz; with water cooler	715
0349 310 770	Origo™ Mig 502c	400V – 415V, 3~50Hz	716
0349 310 800	Origo™ Mig 652cw	400V – 415V, 3~50Hz; with water cooler	725
0349 311 060	Origo™ Mig 652c	400V – 415V, 3~50Hz	726
0349 311 230	Origo™ Mig 402cw	230V – 500V, 3~50Hz, 3~60Hz; with water cooler	743
0349 311 220	Origo™ Mig 402c	230V – 500V, 3~50Hz, 3~60Hz	747
0349 311 250	Origo™ Mig 502cw	230V – 500V, 3~50Hz, 3~60Hz; with water cooler	748
0349 311 240	Origo™ Mig 502c	230V – 500V, 3~50Hz, 3~60Hz	749
0349 311 270	Origo™ Mig 652cw	230V – 500V, 3~50Hz, 3~60Hz; with water cooler	751
0349 311 260	Origo™ Mig 652c	230V – 500V, 3~50Hz, 3~60Hz	750

Spare parts are to be ordered through the nearest ESAB agency. Kindly indicate type of unit, serial number, denominations and ordering numbers according to the spare parts list.

Maintenance and repair work should be performed by an experienced person, and electrical work only by a trained electrician. Use only recommended spare parts.

Rights reserved to alter specifications without notice.

Origo™ Mig 402cw, 402c, Mig 502cw, 502c, Mig 652cw, 652c

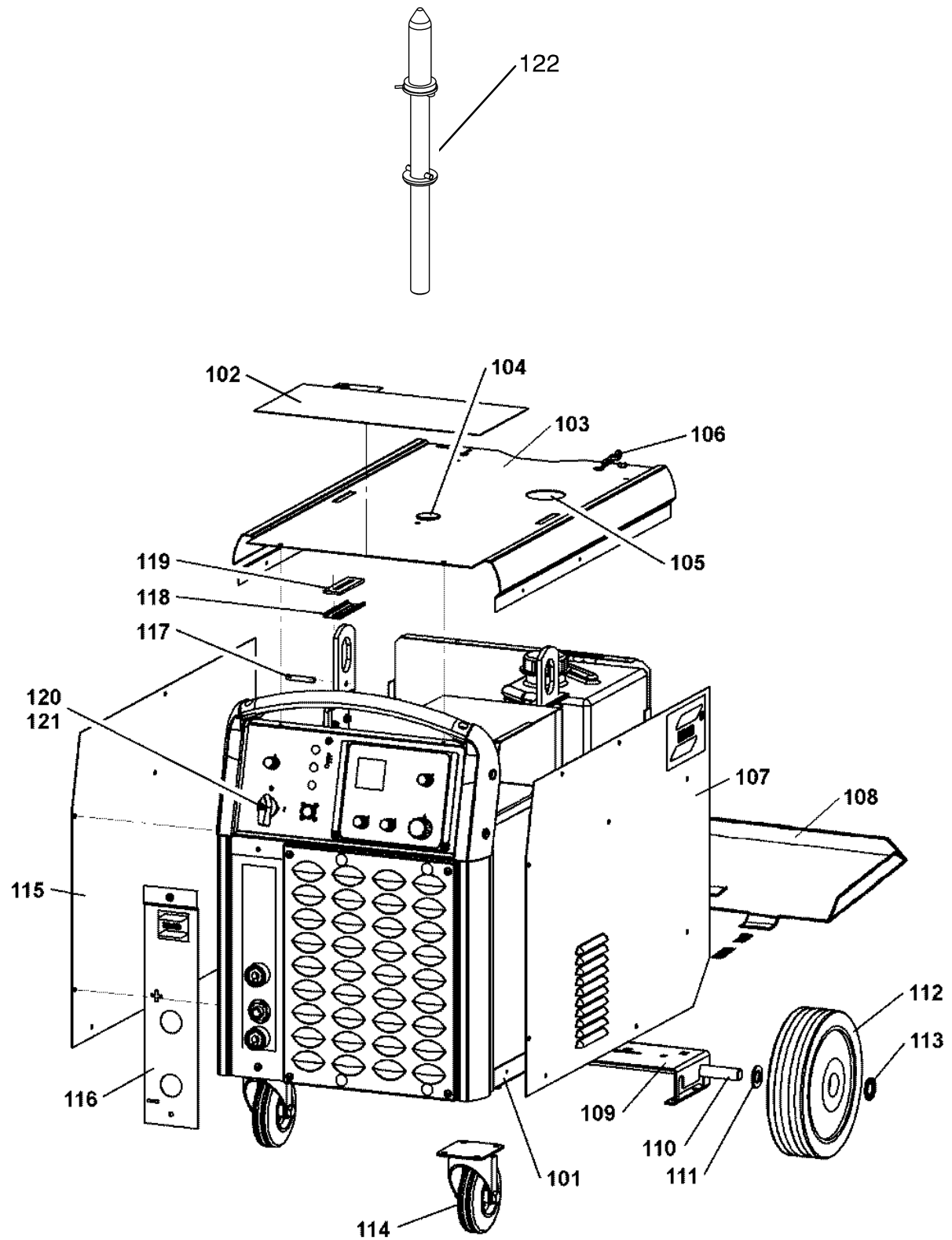
(A) = accessory

C = component designation in the circuit diagram

Item	Qty 402c	Qty 502c	Qty 652c	Ordering no.	Denomination	Notes	C
101	1	1	1	0349 310 348	Bottom plate		
102	1	1	1	0349 310 458	Rubber sheet		
103	1	1	1	0349 310 457	Cover		
104	1	1	1	0349 493 173	Blind plug		
105	1	1	1	0458 992 001	Blind plug	only "c" machines	
106	1	1	1	0321 173 001	Chain	L=700mm	
107	1	1	1	0349 310 455	Side panel		
108	1	1	1	0349 302 267	Bottle shelf		
109	1	1	1	0349 302 268	Clamp		
110	1	1	1	0469 516 005	Shaft		
111	2	2	2	0349 481 044	Plain washer	∅ 21	
112	2	2	2	0469 872 001	Wheel	∅ 250	
113	2	2	2	0192 859 126	Locking washer		
114	2	2	2	0349 304 853	Castor wheel	∅ 125	
115	1	1	1	0349 310 454	Side panel		
116	1	1	1	0349 310 390	Panel plate		
117	2	2	2	0349 480 394	Roll pin		
118	2	2	2	0468 796 001	Support plate		
119	2	2	2	0349 310 962	Seal		
120	1	1	1	0349 311 382	Switch		Q01
121	1	1	1	0349 311 632	Knob		
122	1	1	1	0349 302 754	Guide pin		

"c" = machines without water cooling system

Origo™ Mig 402cw, 402c, Mig 502cw, 502c, Mig 652cw, 652c

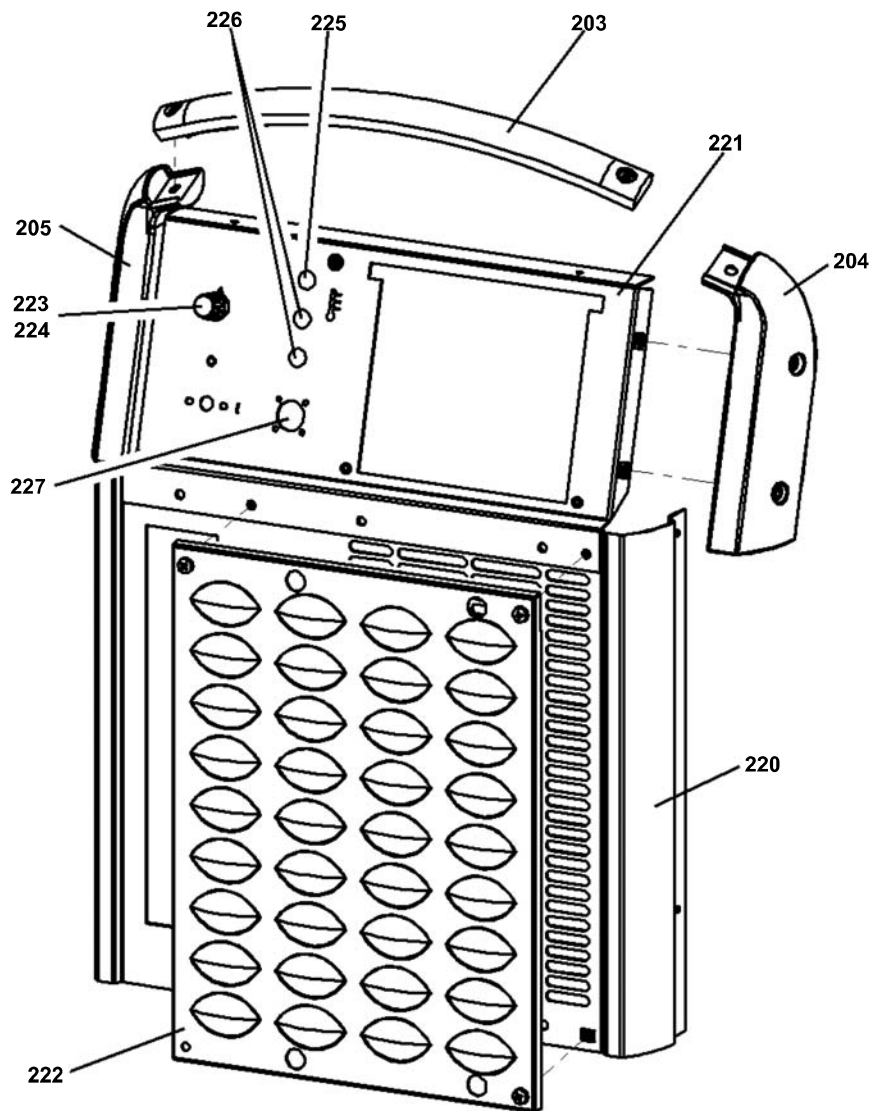
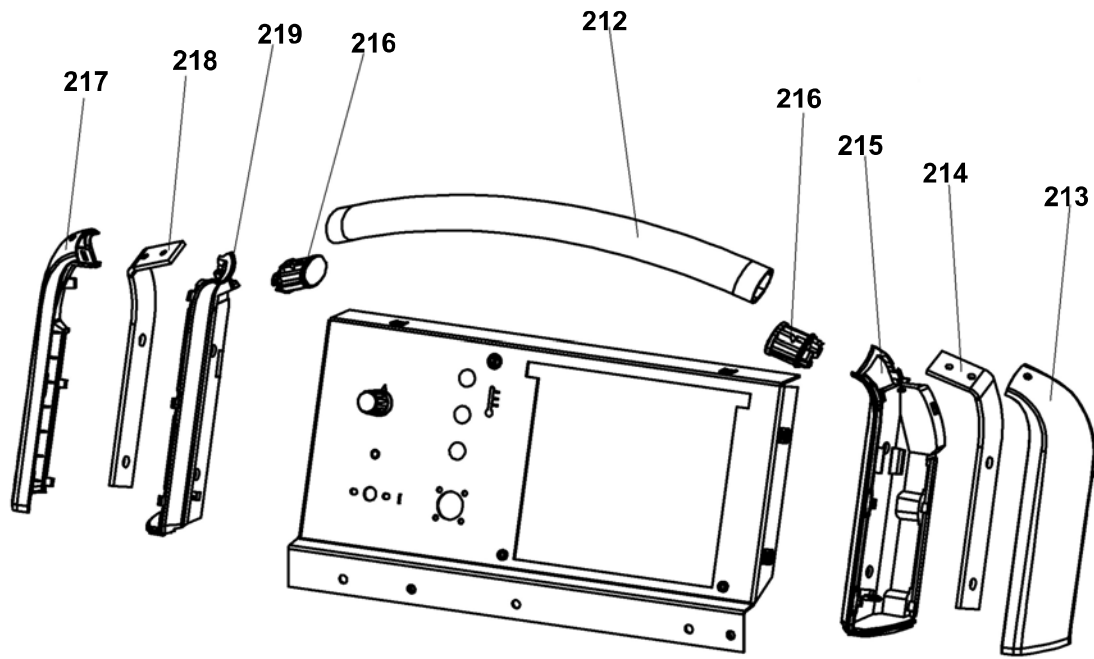


Origo™ Mig 402cw, 402c, Mig 502cw, 502c, Mig 652cw, 652c

C = component designation in the circuit diagram

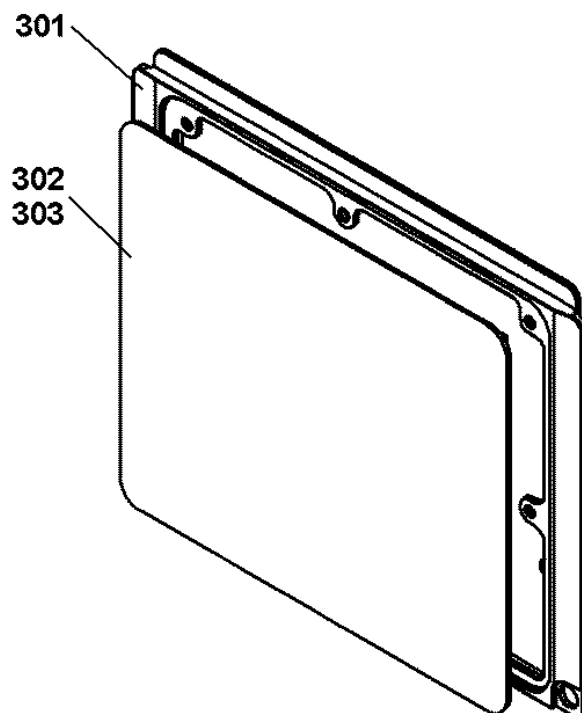
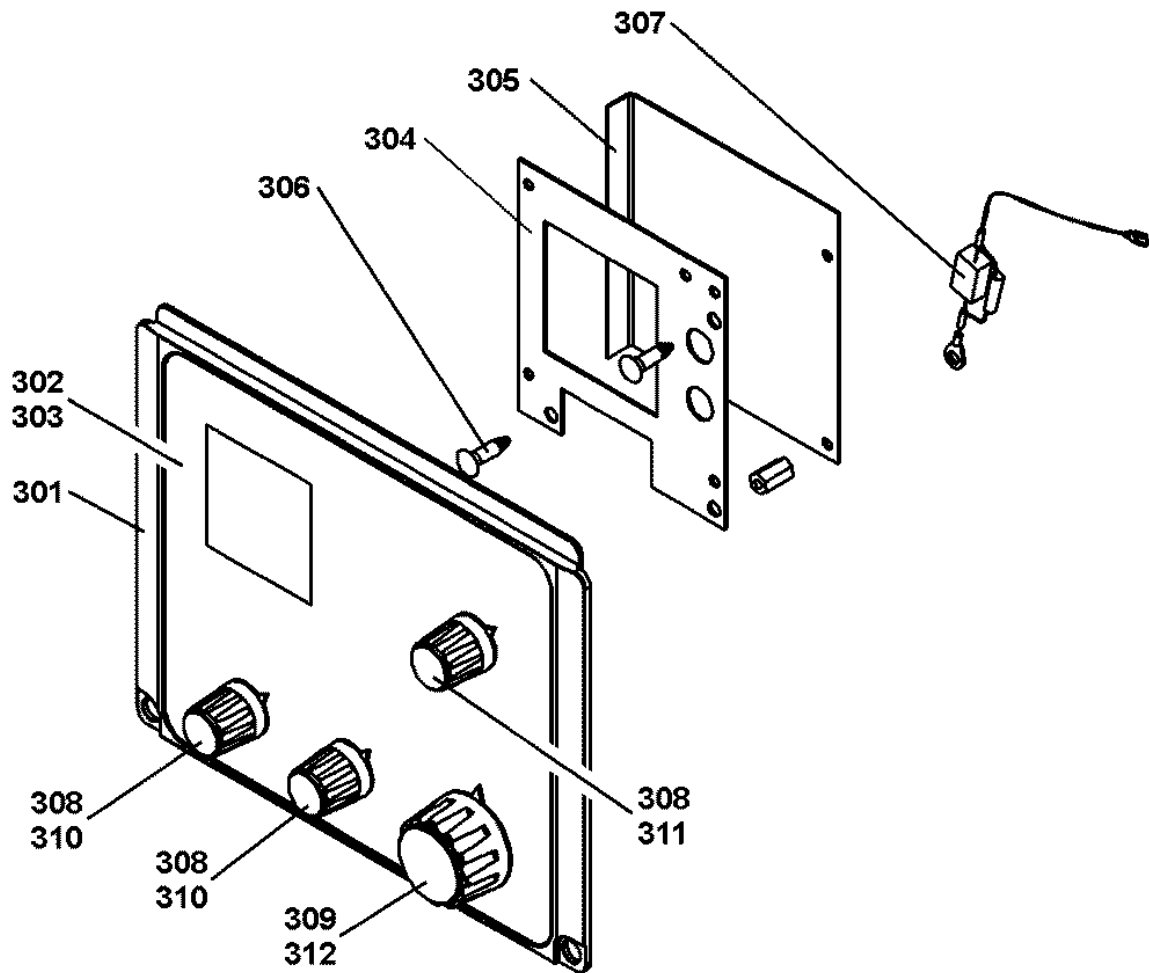
Item	Qty	Ordering no.	Denomination	Notes	C
203	1	0349 302 284	Handle	Valid for serial no.: xxx 8xx xxxx to xxx 9xx xxxx, xxx 0xx xxxx to xxx 110 xxxx	
204	1	0349 302 283	Right corner	Valid for serial no.: xxx 8xx xxxx to xxx 9xx xxxx, xxx 0xx xxxx to xxx 110 xxxx	
205	1	0349 302 282	Left corner	Valid for serial no.: xxx 8xx xxxx to xxx 9xx xxxx, xxx 0xx xxxx to xxx 110 xxxx	
212	1	0349 310 966	Handle	Valid from serial no.: xxx 111 xxxx	
213	1	0349 311 034	Cover right	Valid from serial no.: xxx 111 xxxx	
214	1	0349 311 035	Bracket right	Valid from serial no.: xxx 111 xxxx	
215	1	0349 311 033	Base right	Valid from serial no.: xxx 111 xxxx	
216	2	0349 311 039	Reduction insert	Valid from serial no.: xxx 111 xxxx	
217	1	0349 311 037	Cover left	Valid from serial no.: xxx 111 xxxx	
218	1	0349 311 038	Bracket left	Valid from serial no.: xxx 111 xxxx	
219	1	0349 311 036	Base left	Valid from serial no.: xxx 111 xxxx	
220	1	0349 310 376	Lower front plate		
221	1	0349 310 387	Front panel		
222	1	0349 302 285	Grill		
223	1	0460 600 321	Knob		
224	1	0349 310 765	Potentiometer		P1
225	1	0369 733 007	Signal lamp	White, 48V	H4
226	2	0369 733 005	Indicating lamp	Orange, 24V	H1, H2
227	1	0368 544 003	Socket burndy		X01

Origo™ Mig 402cw, 402c, Mig 502cw, 502c, Mig 652cw, 652c



Origo™ Mig 402cw, 402c, Mig 502cw, 502c, Mig 652cw, 652c

Item	Qty 402c	Qty 502c	Qty 652c	Ordering no.	Denomination	Notes	C
301	1	1	1	0459 118 002	Protection frame		
302	1	-	-	0349 310 932	Panel cpl.		
	-	1	1	0349 310 397	Panel cpl.		
303	1	-	-	0349 311 301	Label – MMC Panel M0		
	-	1	1	0349 310 399	Label – MMC Panel A13		
304	-	1	1	0349 302 287	Plate		
305	-	1	1	0349 310 037	Shield		
306	-	2	2	0455 226 004	Spacer		
307	-	1	1	0349 491 336	Capacitor cpl.		
308	-	3	3	0460 600 321	Knob		
309	-	1	1	0460 600 836	Knob		
310	-	2	2	0349 310 918	Potentiometer		R02, R03
311	-	1	1	0349 304 108	Rotary switch		S1
312	-	1	1	0192 724 007	Potentiometer		R01

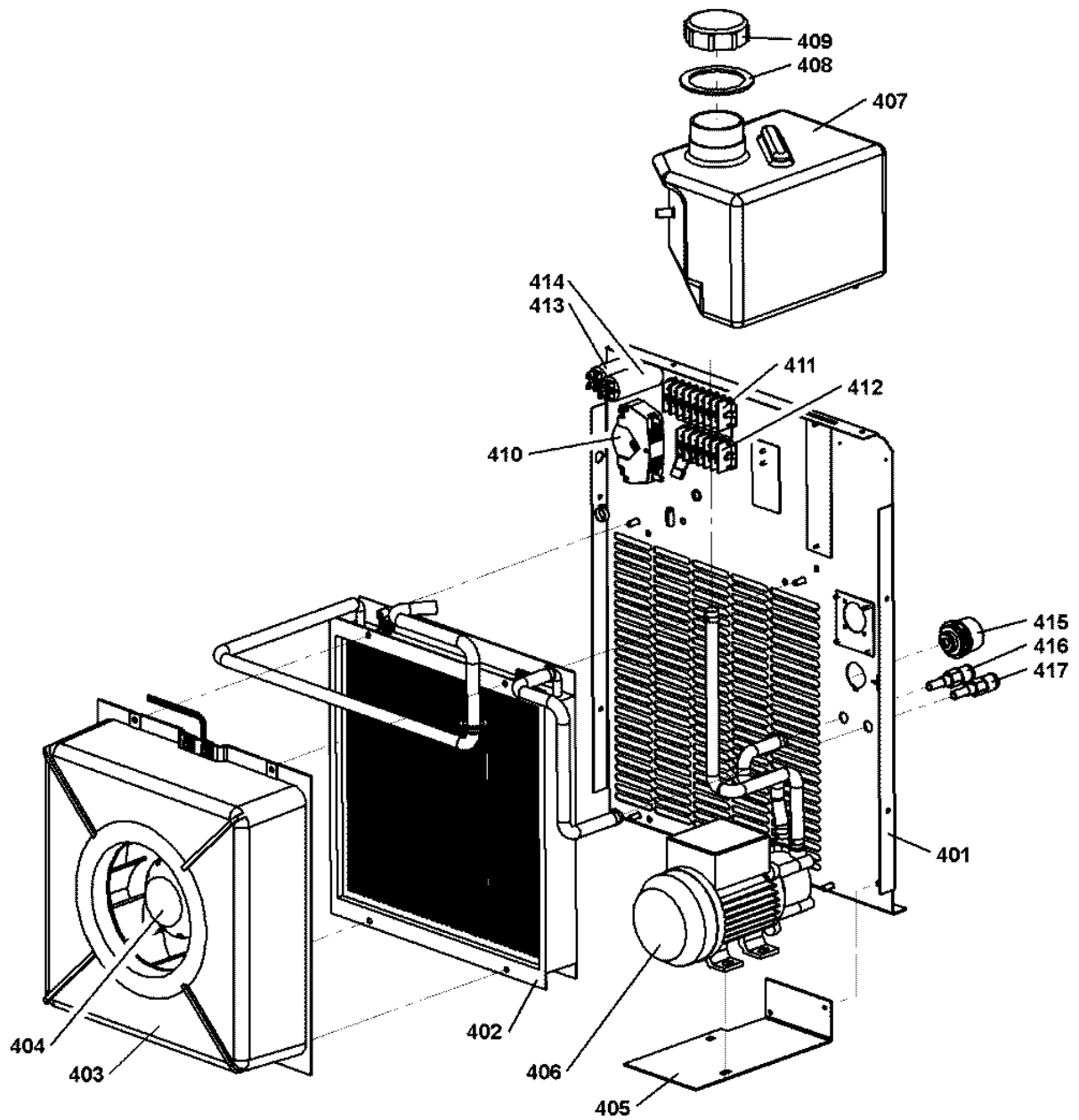


Origo™ Mig 402cw, 402c, Mig 502cw, 502c, Mig 652cw, 652c

Item	Qty	Ordering no.	Denomination	Notes	C
401	1	0349 310 264	Rear panel		
402	1	0349 311 701	Radiator	only "cw" machines	
403	1	0469 893 001	Fan mantle		
404	1	0369 827 001	Fan		M1
405	1	0349 310 469	Pump bracket	only "cw" machines	
406	1	0459 288 001	Pump	only "cw" machines	M2
407	1	0469 689 001	Water tank	only "cw" machines	
408	1	0366 481 004	Sealing	only "cw" machines	
409	1	0469 689 002	Cover	only "cw" machines	
410	1	0469 950 880	Cable inlet		
411	1	0466 884 008	Connection	8-pol.	X30
412	1	0466 884 006	Terminal		X40
413	1	0191 085 206	Capacitor	6uF	C1
414	1	0191 085 203	Capacitor	3uF	C2
415	1	0160 362 881	OKC contact		
416	1	0365 803 011	Quick connector	Blue, only "cw" machines	
417	1	0365 803 012	Quick connector	Red, only "cw" machines	

"cw" = machines with water cooling system

Origo™ Mig 402cw, 402c, Mig 502cw, 502c, Mig 652cw, 652c

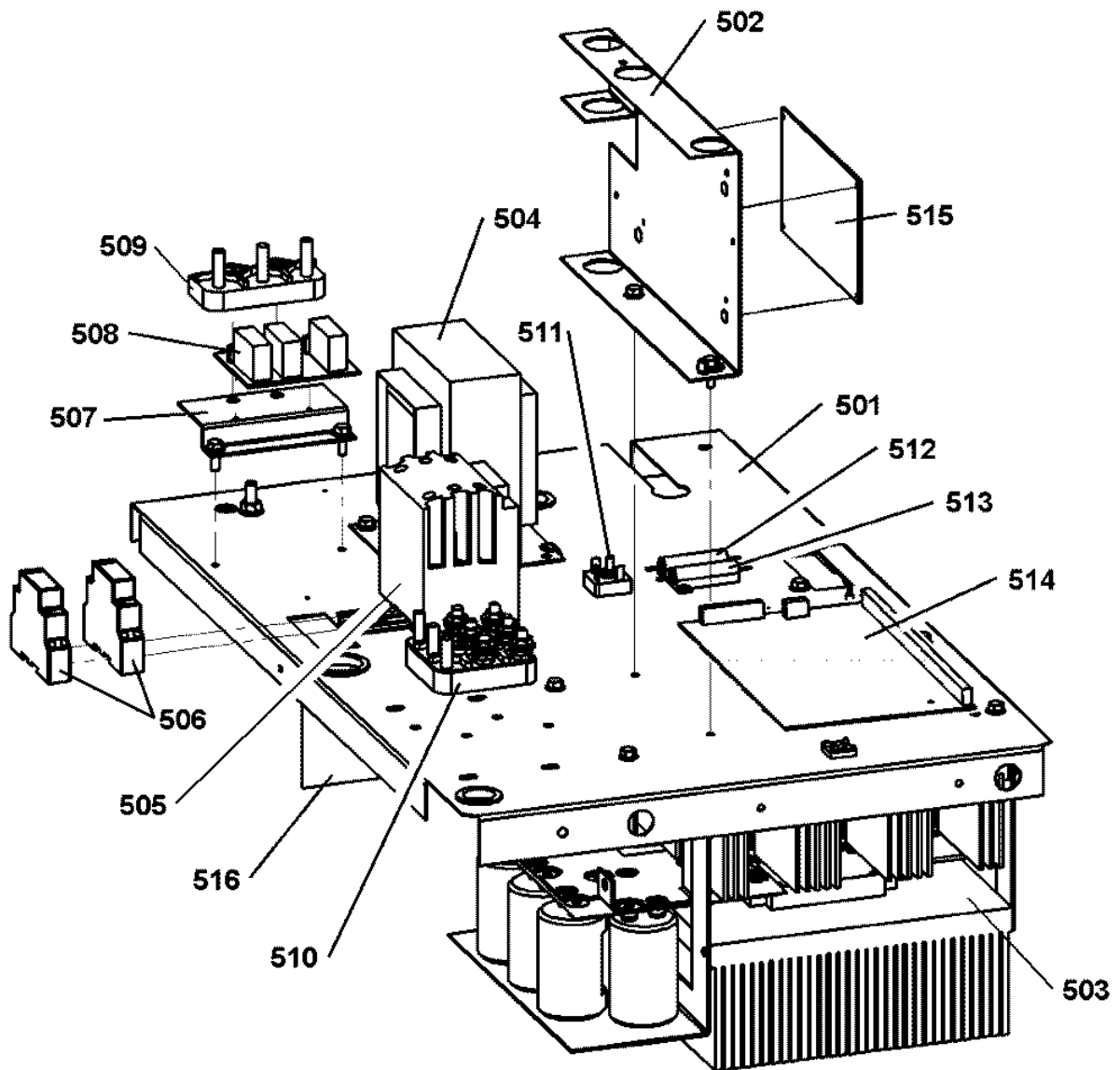


Origo™ Mig 402cw, 402c, Mig 502cw, 502c, Mig 652cw, 652c

Item	Qty 402c	Qty 502c	Qty 652c	Ordering no.	Denomination	Notes	C
501	1	1	1	0349 310 304	Shelf		
502	1	1	1	0349 310 272	Intermediate plate		
503	1	-	-	0349 308 601	Chopper 400		V0
	-	1	-	0349 311 236	Chopper 500		V0
	-	-	1	0349 311 237	Chopper 600		V0
	1	1	1	SCOMES – 0349311821 SEMIKRON – 0349311822	Thermal switch	Valid up to serial no xxx-145-xxxx	B2
504	1	1	1	0349 310 721	Transformer	“sv” machines	TC1
	1	1	1	0349 311 231	Transformer	“mv” machines	TC1
505	1	1	-	0349 484 211	Contactactor	“sv” machines	K1
	-	-	1	0349 311 407	Contactactor	“sv” machines	K1
	1	-	-	0349 307 633	Contactactor	“mv” machines	K1
	-	1	-	0349 311 408	Contactactor	“mv” machines	K1
	-	-	1	0349 311 409	Contactactor	“mv” machines	K1
506	2	2	2	0193 927 001	Contactactor		K2, K3
507	1	1	1	0469 701 001	Bracket		
508	1	1	1	0349 311 574	PC board mains filter		K69
509	1	1	1	0162 772 001	Connection block	9-pol., -> 1 piece for “sv” machines	X10
510	1	1	1	0469 899 001	Connection block		XT1
	2	2	2	0469 889 001	Connection block	9-pol., -> 2 pieces for “mv” machines	X10
511	1	1	1	0457 290 046	Rectifier bridge		VB1
512	1	1	1	0349 310 724	Resistor		R2
513	1	1	1	0349 485 729	Resistor		R3
514	1	-	-	0349 309 889	Electronics board		CH20
	-	1	-	0349 311 578	Electronics board		CH20
	-	-	1	0349 311 579	Electronics board		CH20
515	1	1	1	0349 310 568	Electronics board		CH10
516	1	-	-	0349 310 271	Shield		

“sv” = 400–415V

“mv” = 230–500V



Origo™ Mig 402cw, 402c, Mig 502cw, 502c, Mig 652cw, 652c

Item	Qty 402c	Qty 502c	Qty 652c	Ordering no.	Denomination	Notes	C
601	1	-	-	0349 309 518	Transformer	"sv" machines	TR1
	1	-	-	0349 311 255	Transformer	"mv" machines	TR1
	-	1	-	0349 310 145	Transformer	"sv" machines	TR1
	-	1	-	0349 311 256	Transformer	"mv" machines	TR1
	-	-	1	0349 310 796	Transformer	"sv" machines	TR1
	-	-	1	0349 311 254	Transformer	"mv" machines	TR1
602	1	1	-	0349 309 558	Inductor		L1
	-	-	1	0349 310 798	Inductor		L1
603	1	1	1	0467 992 881	Shunt		RB
604	2	2	2	0160 362 881	OKC connector		

"sv" = 400-415V

"mv" = 230-500V

